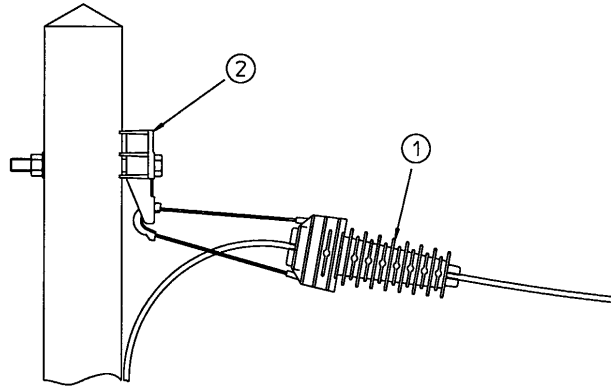


ADSS cables



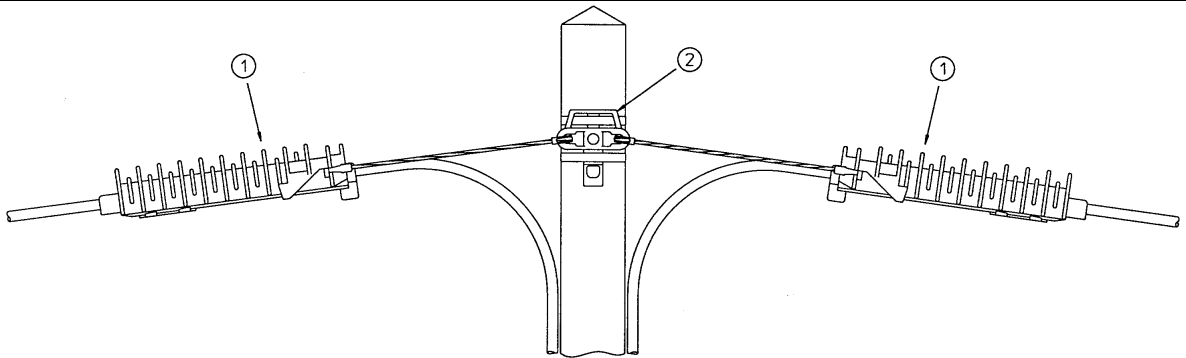
Cable termination : dead-ending



Consisting of : 1 anchoring clamp ACADSS (1) + 1 universal pole bracket UPB (2)

Securing : 1 bolt Ø 14 or 16 mm (drilled poles) or 2 pole bandings 20 mm SB204 or SB207 with 2 clips A20 or 2 buckles B20

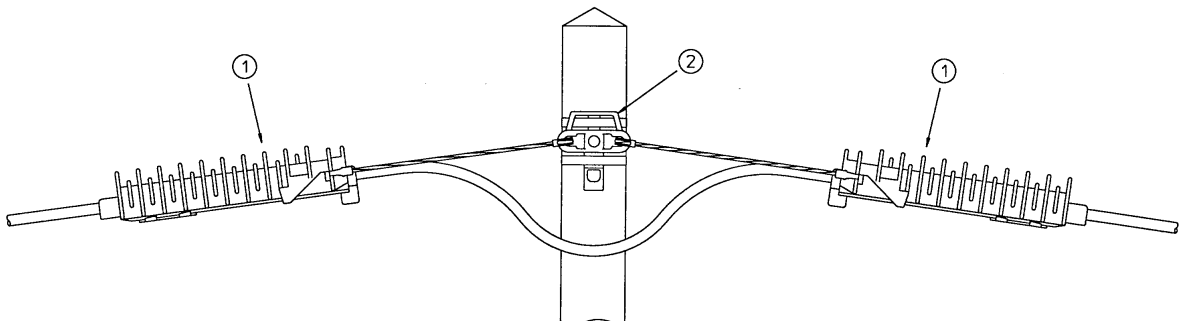
Pole jointing and every 5th pole on straight routes : double dead-ending



Consisting of : 2 anchoring clamps ACADSS (1) + 1 universal pole bracket UPB (2)

Securing : 1 bolt Ø 14 or 16 mm (drilled poles) or 2 pole bandings 20 mm SB204 or SB207 with 2 clips A20 or 2 buckles B20

Intermediate poles with cable route angle : Double anchoring



Consisting of : 2 anchoring clamps ACADSS (1) + 1 universal pole bracket UPB (2)

Securing : 1 bolt Ø 14 or 16 mm (drilled poles) or 2 pole bandings 20 mm SB204 or SB207 with 2 clips A20 or 2 buckles B20