

### Product overview

These clamps are designed for dead-ending Ø 3 to 9mm aerial round copper / fiber / CATV cables on access networks when spans do not exceed 100m.

### Application

These clamps are used as cable dead-end at end poles (using one clamp).

Two clamps can be installed as double dead-end in the following cases :

- at jointing poles.
- at intermediate angle poles when the cable route deviates by more than 20°.
- at intermediate poles when the two spans are different in lengths.
- at intermediate poles on hilly landscapes.

### Characteristics

These clamps have a conical body, a pair of wedges and a flexible bail. All parts are secured together with the following characteristics :

Reference	Capacity (mm)	Min. breaking load (daN)*
AC35L 260	3 – 6	300
AC68L 260	6 – 9	300

\*: Values obtained on reference cables

	Material		Weight (kg)	Packaging
Body (1)	Wedges (2)	Bail (3)		
UV protected thermoplastic	UV protected thermoplastic	Stainless steel	0,18	100 units

## Benefits

- Light and compact products
- Easy, quick and safe dead-ending
- Installation takes seconds
- The flexible bail provides an extra protection to the cable against vibrations

## Features

- Dead-ending of 3 to 6mm and 6 to 9mm aerial round cables.
- Minimum failing load of 300daN.
- Installation on any bracket with a 15mm minimum eye diameter.
- 4kV thimble as standard.
- All plastic parts are UV resistant and tested in conditions equivalent to min 25 years of service.

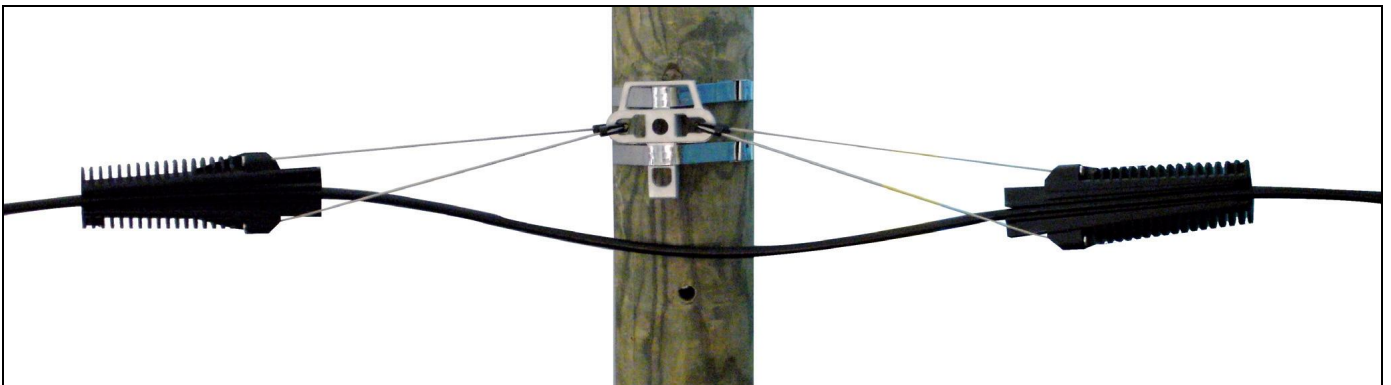
## Testing

These products have been validated according to internationally recognized standards:

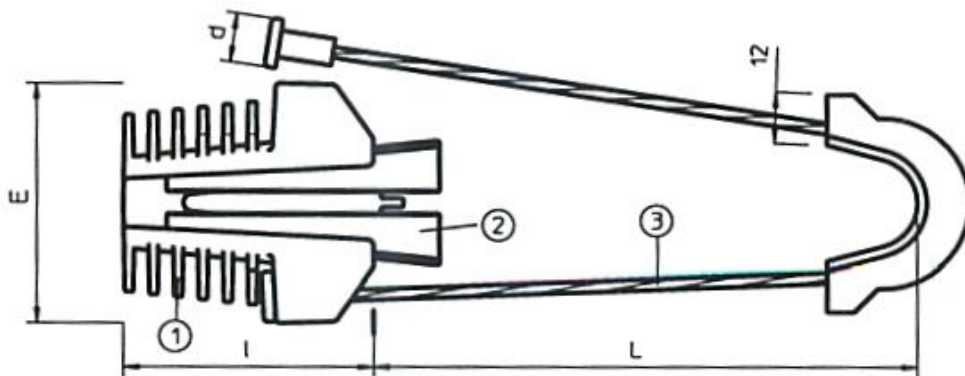
- Climatic ageing test according to NF EN C-20-540 standard dated June 2002.
- Corrosion test according to NF EN 60068-2-52 dated December 1996.
- Mechanical test according to France Telecom FT R&D/7890 dated July 2003.
- Vibration test according to France Telecom FT R&D/7890 dated July 2003.

## Installation method

- Hang the clamp to the pole/wall bracket by passing the free end of the bail through the fitting.
- Pull back the wedges and place them around the cable.
- Push the wedges forward with your hand to initiate the gripping on the cable.
- When the cable is brought to its stringing load, the wedges move forward in the conical body and grip the cable.
- When installing a double dead-end leave some extra length of cable between the two clamps.



## Dimensions



Description	E	l	L	d
			Standard lengths available	
1: Body	57 mm	108 mm	140mm	11 mm
2: Wedges			260 mm	
3: Bail			360 mm	